
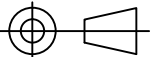


LFNT0.36X-284-8M23	UNIT	mm	Optical Magnification : 0.36X	
	SCALE	N / S	W.D. : 284mm ± 5mm	
	TOL.	± 2%	N.A. : 0.03 , Resolution : 11.2um	
 L-Fusion Optics Inc.			Effective F/# : 6.1 (Infinity F/# : 4.5)	
			D.O.F. : 2.82mm (COC : 30um)	
			Optical Distortion : < 0.01%	
			F.O.V. : 50.35 X 37.77mm @ 8M CCD Camera	