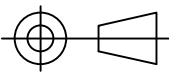



TITLE	UNIT	mm	Optical Magnification : 0.685X
LFNT0.685X-95-8	SCALE	N/S	W.D. : 95mm ± 2 mm
	TOL.	± 2%	N.A. : 0.038 , Resolution : 8.8um
		Effective F/# : 9 , D.O.F. : 1.5mm	
Optical dist. <0.05% F.O.V. : 9.34 X 7.0 mm @ $\frac{1}{2}$ " CCD camera 7.0 X 5.25 mm @ $\frac{1}{3}$ " CCD camera			
 L-Fusion Optics Inc.			