
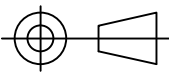


TITLE	UNIT	mm	Optical Magnfication : 0.96X
LFNT0.96X-80-8	SCALE	N/S	WD : 80mm ± 2 mm
	TOL.	± 2%	NA : 0.046 , Resolution : 7.3um
 L-Fusion Optics Inc.		Effective F/# :10.4 , DOF : 900um	Optical dist. <0.04%
		FOV : 6.67X 5.0 mm @ $\frac{1}{2}$ " CCD camera 5.0X 3.75 mm @ $\frac{1}{3}$ " CCD camera	