
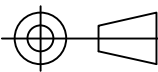


TITLE	UNIT	mm	Optical Magnification : 1.0X
LFTC1.0X-65C-HR11	SCALE	N/S	W.D. : 65mm ± 2mm
	TOL.	± 2%	N.A. : 0.05 , Resolution : 6.7um
 L-Fusion Optics Inc.		Effective F/# : 10 , D.O.F. : 800um(coc: 40um)	
		Optical Distortion : < 0.04% Telecentric Angle : < 0.03 deg. F.O.V. : 8.8 X 6.6mm @ 2/3 inch CCD camera	