
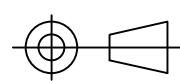


TITLE	UNIT	mm	Optical Magnification : 3.0X
LFTC3.0X-110-8	SCALE	N/S	W.D. : 110mm ± 2mm
	TOL.	± 2%	N.A. : 0.055 , Resolution : 6.1um
 L-Fusion Optics Inc.		Effective F/# : 27.3 , D.O.F. : 243um(coc: 40um)	
		Optical Distortion : < 0.14% Telecentric Angle : < 0.03 deg. F.O.V. : 2.1 X 1.6mm @ 1/2 inch CCD	